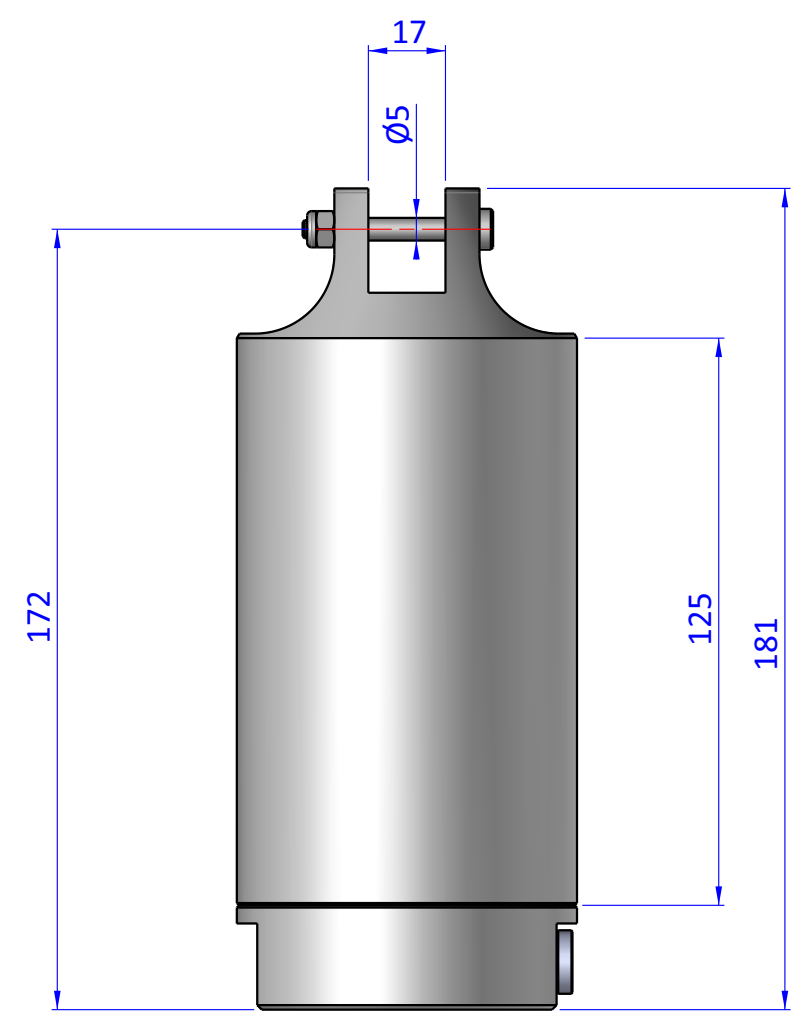
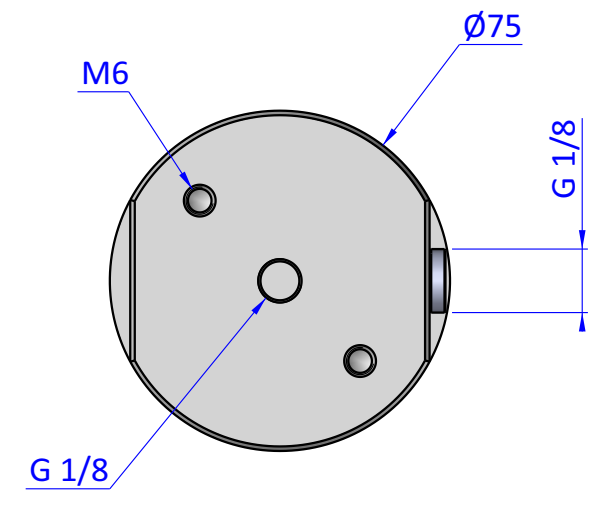
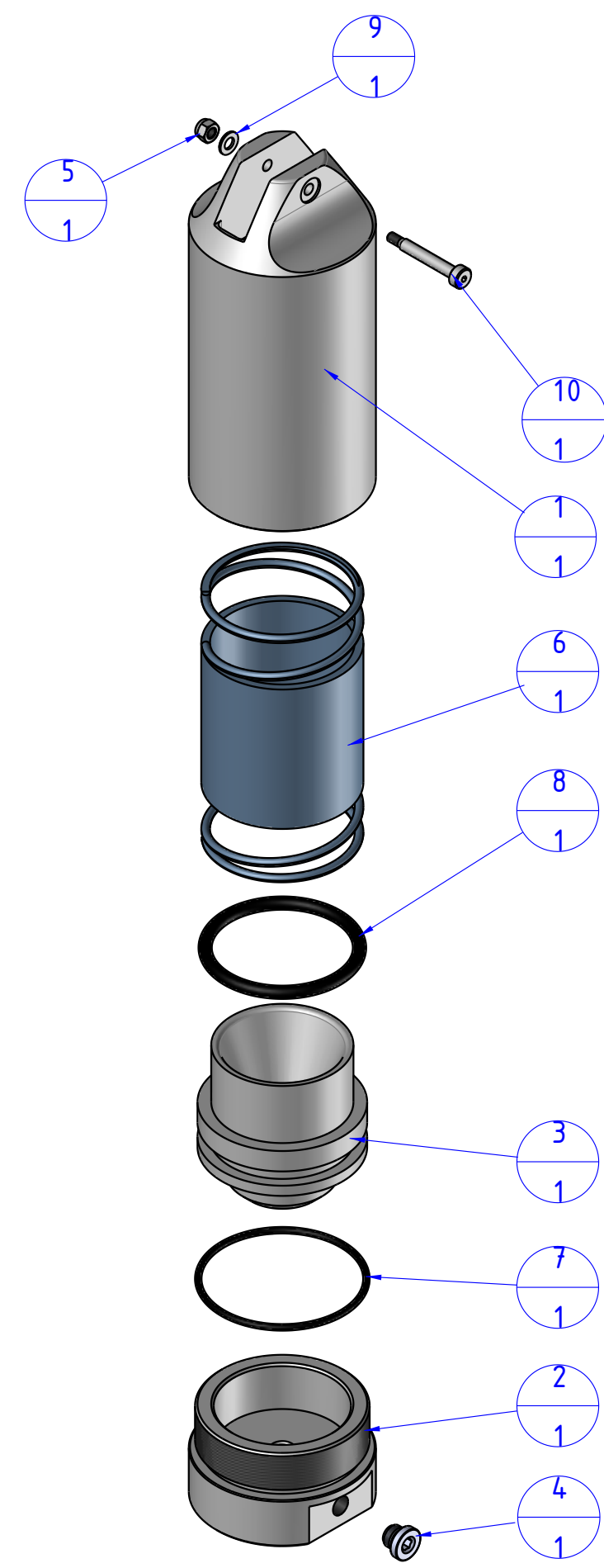



THE PROPERTY OF THE DRAWING IS ESTABLISHED BY LAW. IT IS FORBIDDEN TO PRODUCE OR SHOW IT TO THIRD PART - WITHOUT A WRITTEN AGREEMENT.

Item	Name	Q.ty
1	10.01.002.1	1
2	10.01.002.2	1
3	10.01.002.3	1
4	CA.08.14.014	1
5	D.5AUT	1
6	M.65X122	1
7	OR.3256	1
8	OR.6225	1
9	R.5	1
10	V.UMB.05.30.M4	1



Format A3
UNI 936-76

 FPS FPSERVICES AUTOMATION		DESIGNED FROM FPS Automation		REVIEW A	
		DATE 20/04/2022	WEIGHT 0,908kg		
GENERAL TOLERANCE UNI - ISO 2768 CLASSE f	DESCRIPTION CA.ATE.50AM		CODE CA.ATE.50AM		